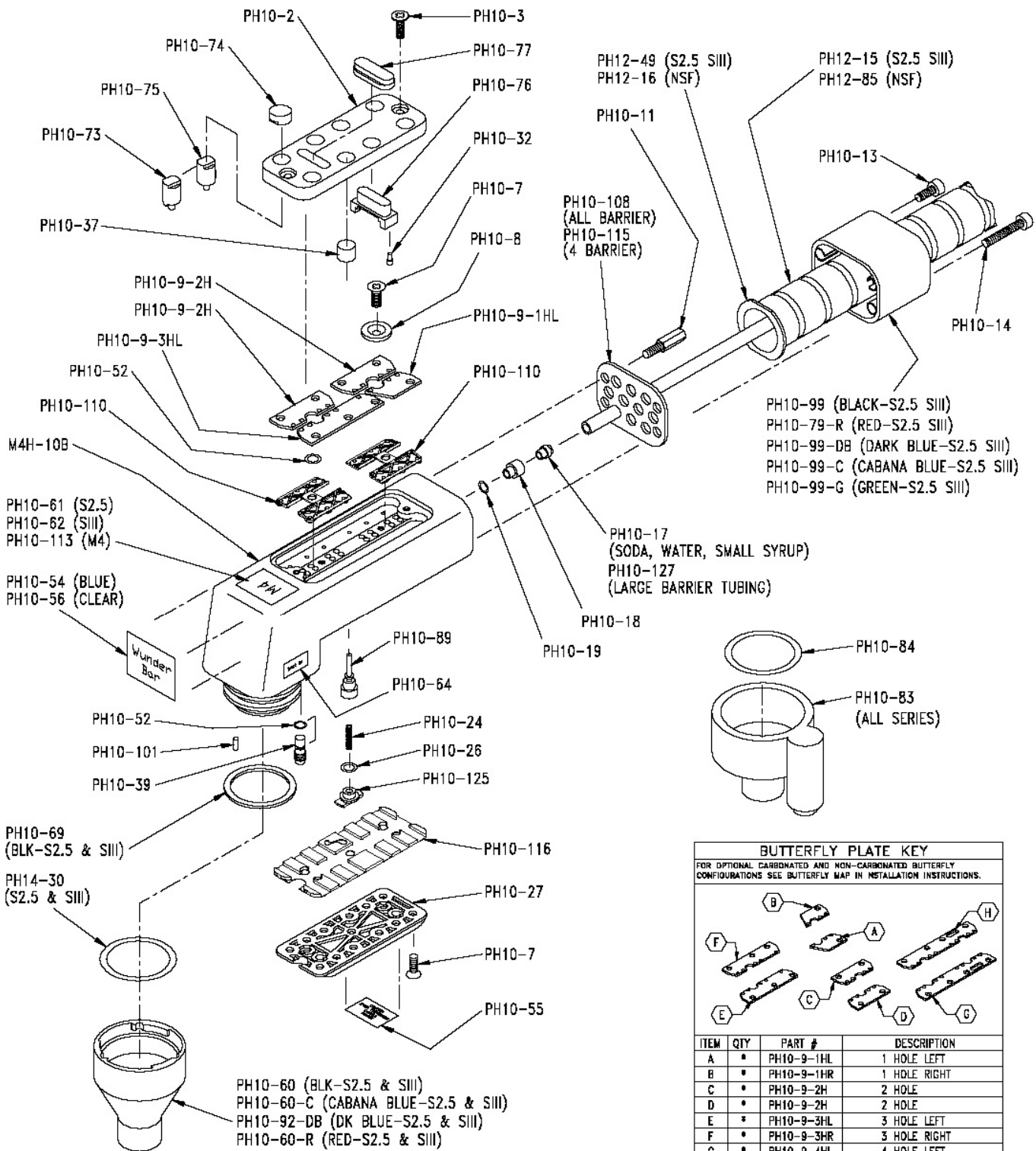


MARK 4 10-BUTTON POST MIX HANDLE

JOB:

ITEM#:



BUTTERFLY PLATE KEY
FOR OPTIONAL CARBONATED AND NON-CARBONATED BUTTERFLY CONFIGURATIONS SEE BUTTERFLY MAP IN INSTALLATION INSTRUCTIONS.

ITEM	QTY	PART #	DESCRIPTION
A	*	PH10-9-1HL	1 HOLE LEFT
B	*	PH10-9-1HR	1 HOLE RIGHT
C	*	PH10-9-2H	2 HOLE
D	*	PH10-9-2H	2 HOLE
E	*	PH10-9-3HL	3 HOLE LEFT
F	*	PH10-9-3HR	3 HOLE RIGHT
G	*	PH10-9-4HL	4 HOLE LEFT
H	*	PH10-9-4HR	4 HOLE RIGHT

Wunder-Bar Dispensing Systems

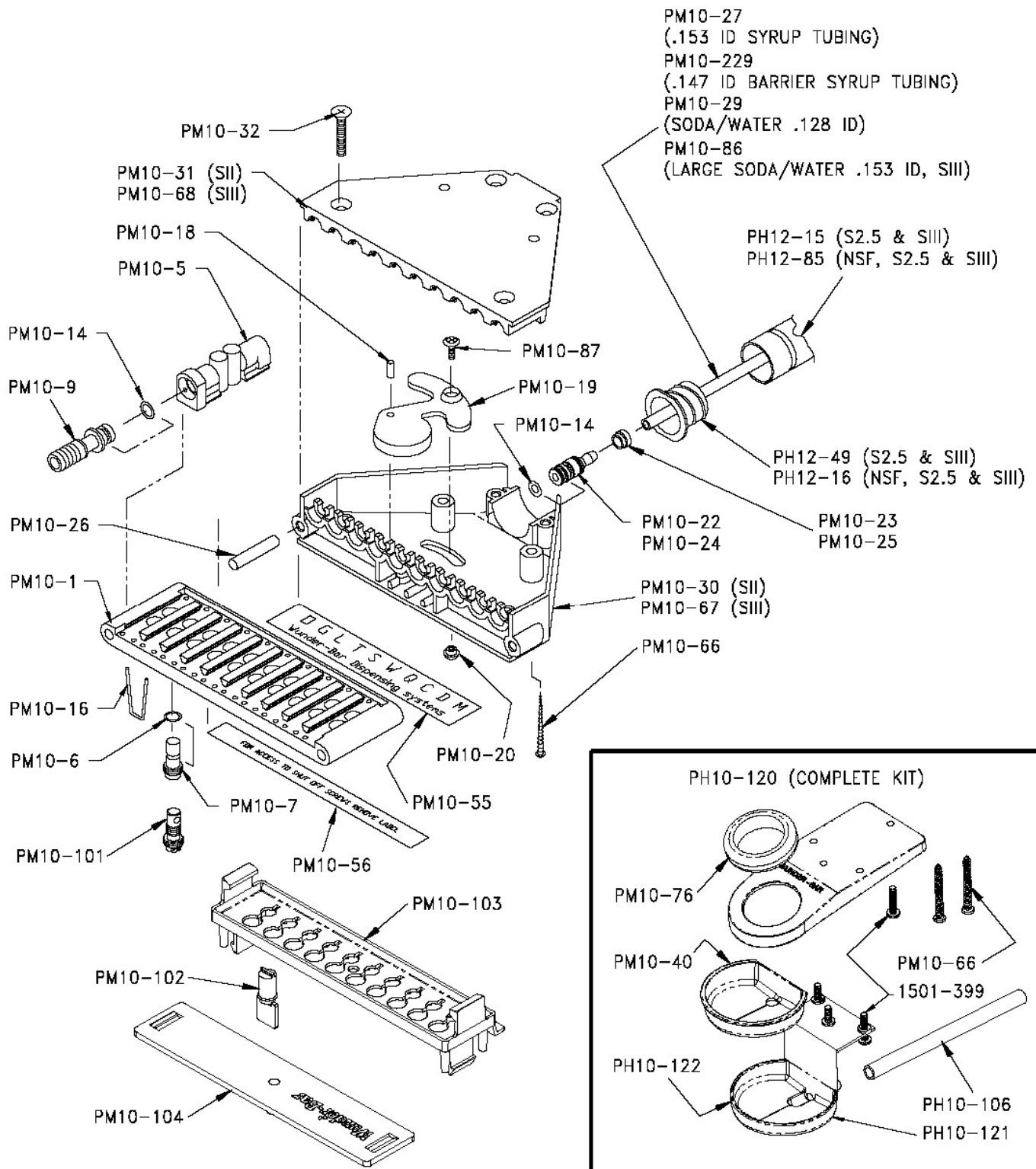
AUTOMATIC BAR CONTROLS, INC.
790 EUBANKS DRIVE
VACAVILLE, CA 95688

PHONE: (707) 448-5151
FAX : (707) 448-1521
www.wunderbar.com

MARK 4 10-BUTTON POST MIX MANIFOLD

JOB:

ITEM#:



Wunder-Bar

Dispensing Systems

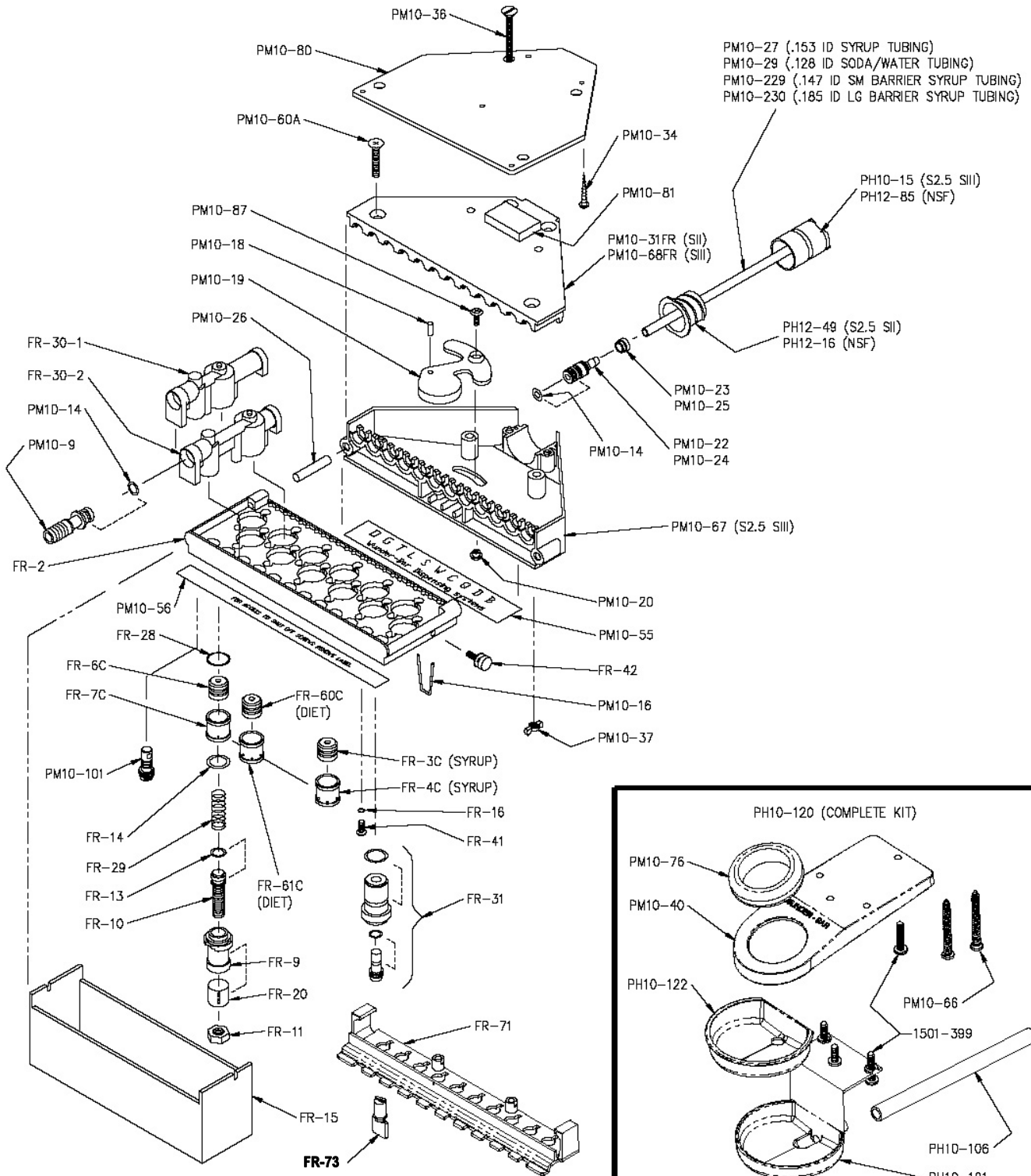
AUTOMATIC BAR CONTROLS, INC.
 790 EUBANKS DRIVE
 VACAVILLE, CA 95688

PHONE: (707) 448-5151
 FAX : (707) 448-1521
www.wunderbar.com

MARK 4 10-BUTTON POST MIX MANIFOLD W/FLOW CONTROL

JOB:

ITEM#:



Wunder-Bar

Dispensing Systems

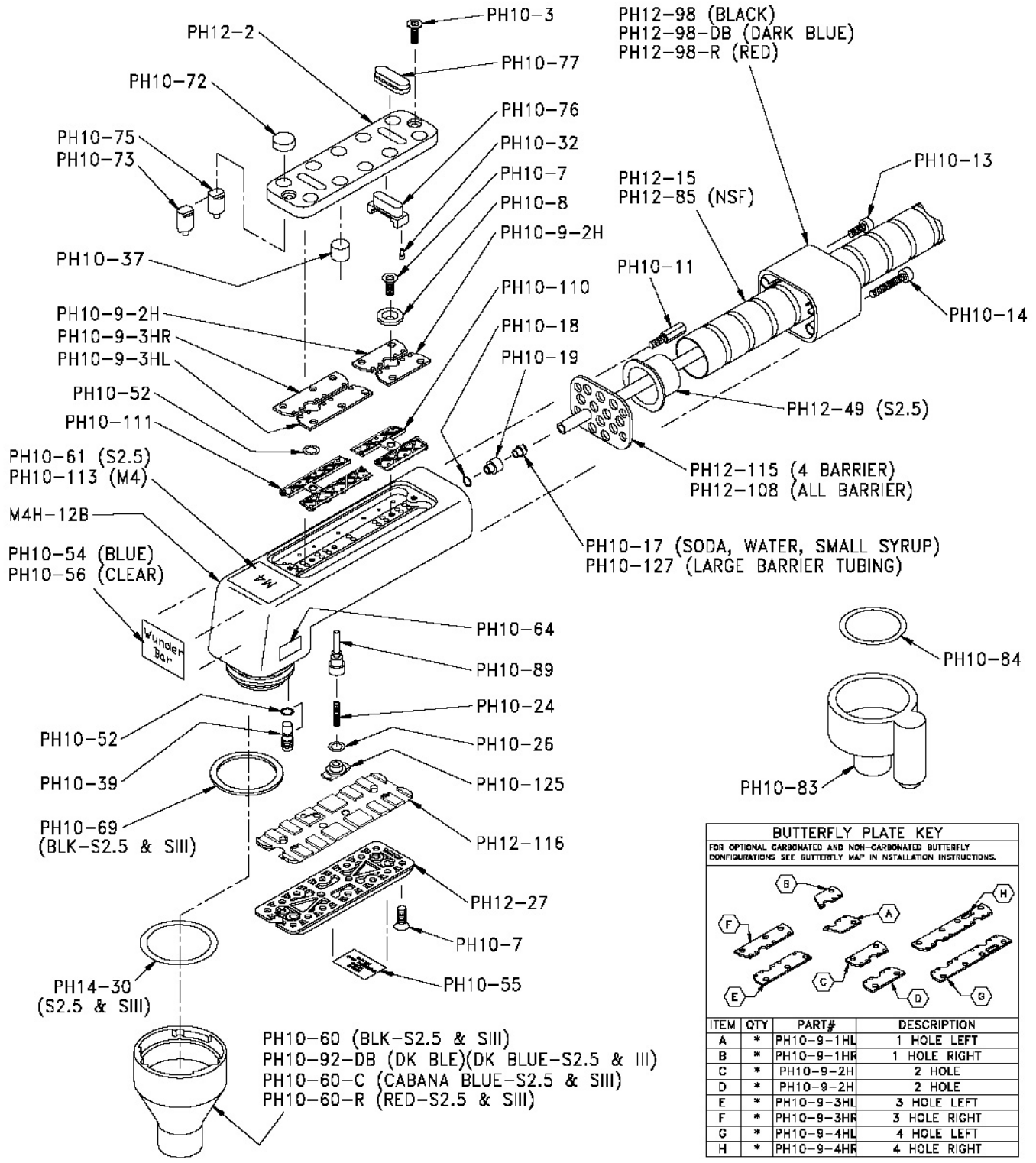
AUTOMATIC BAR CONTROLS, INC.
 790 EUBANKS DRIVE
 VACAVILLE, CA 95688

PHONE: (707) 448-5151
 FAX : (707) 448-1521
www.wunderbar.com

MARK 4 12-BUTTON POST MIX HANDLE

JOB:

ITEM#:



BUTTERFLY PLATE KEY
FOR OPTIONAL CARBONATED AND NON-CARBONATED BUTTERFLY CONFIGURATIONS SEE BUTTERFLY MAP IN INSTALLATION INSTRUCTIONS.

ITEM	QTY	PART#	DESCRIPTION
A	*	PH10-9-1HL	1 HOLE LEFT
B	*	PH10-9-1HR	1 HOLE RIGHT
C	*	PH10-9-2H	2 HOLE
D	*	PH10-9-2H	2 HOLE
E	*	PH10-9-3HL	3 HOLE LEFT
F	*	PH10-9-3HR	3 HOLE RIGHT
G	*	PH10-9-4HL	4 HOLE LEFT
H	*	PH10-9-4HR	4 HOLE RIGHT

Wunder - Bar

Dispensing Systems

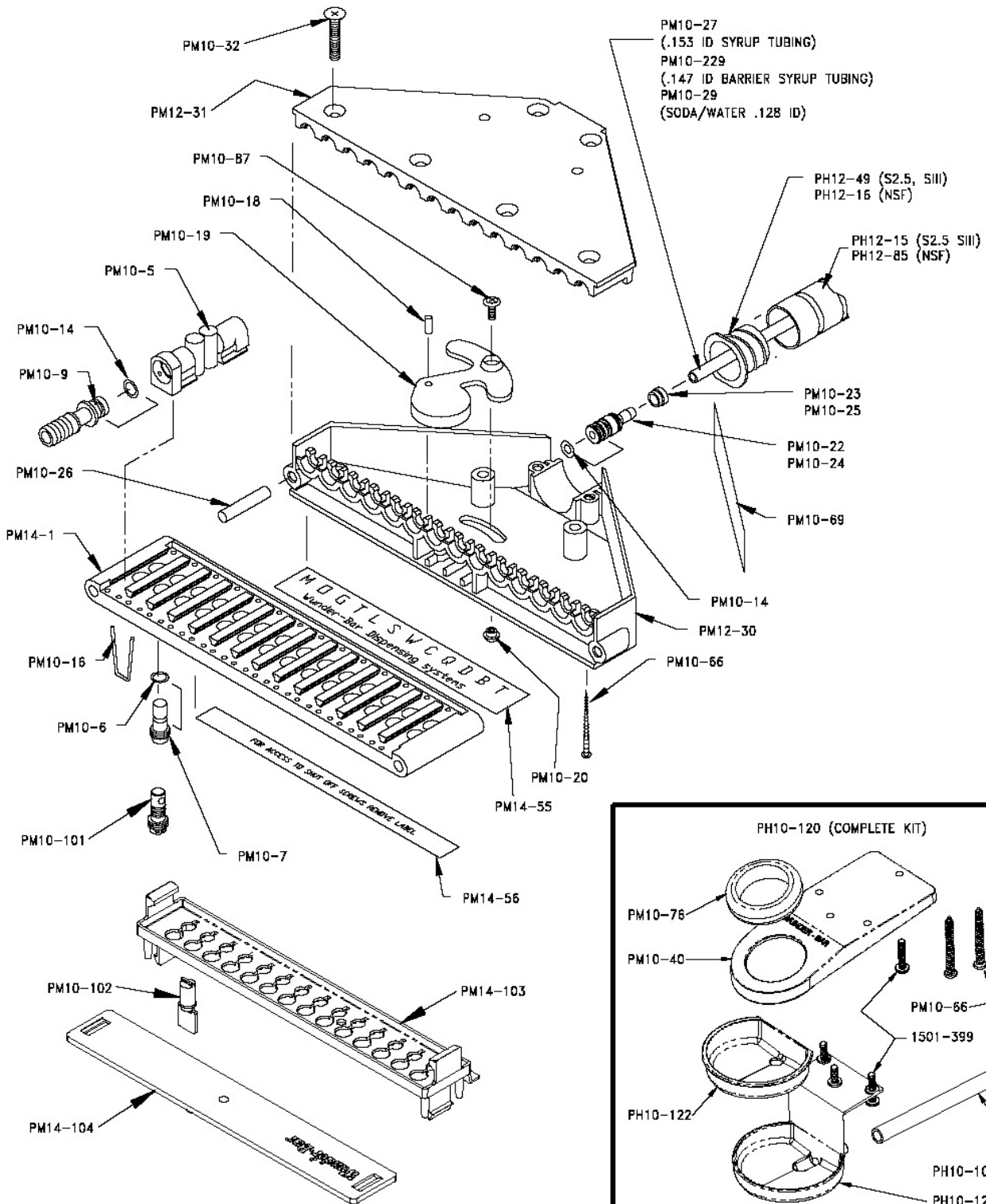
AUTOMATIC BAR CONTROLS, INC.
790 EUBANKS DRIVE
VACAVILLE, CA 95688

PHONE: (707) 448-5151
FAX : (707) 448-1521
www.wunderbar.com

MARK 4 12-BUTTON POST MIX MANIFOLD

JOB:

ITEM#:



Wunder-Bar

Dispensing Systems

AUTOMATIC BAR CONTROLS, INC.
790 EUBANKS DRIVE
VACAVILLE, CA 95688

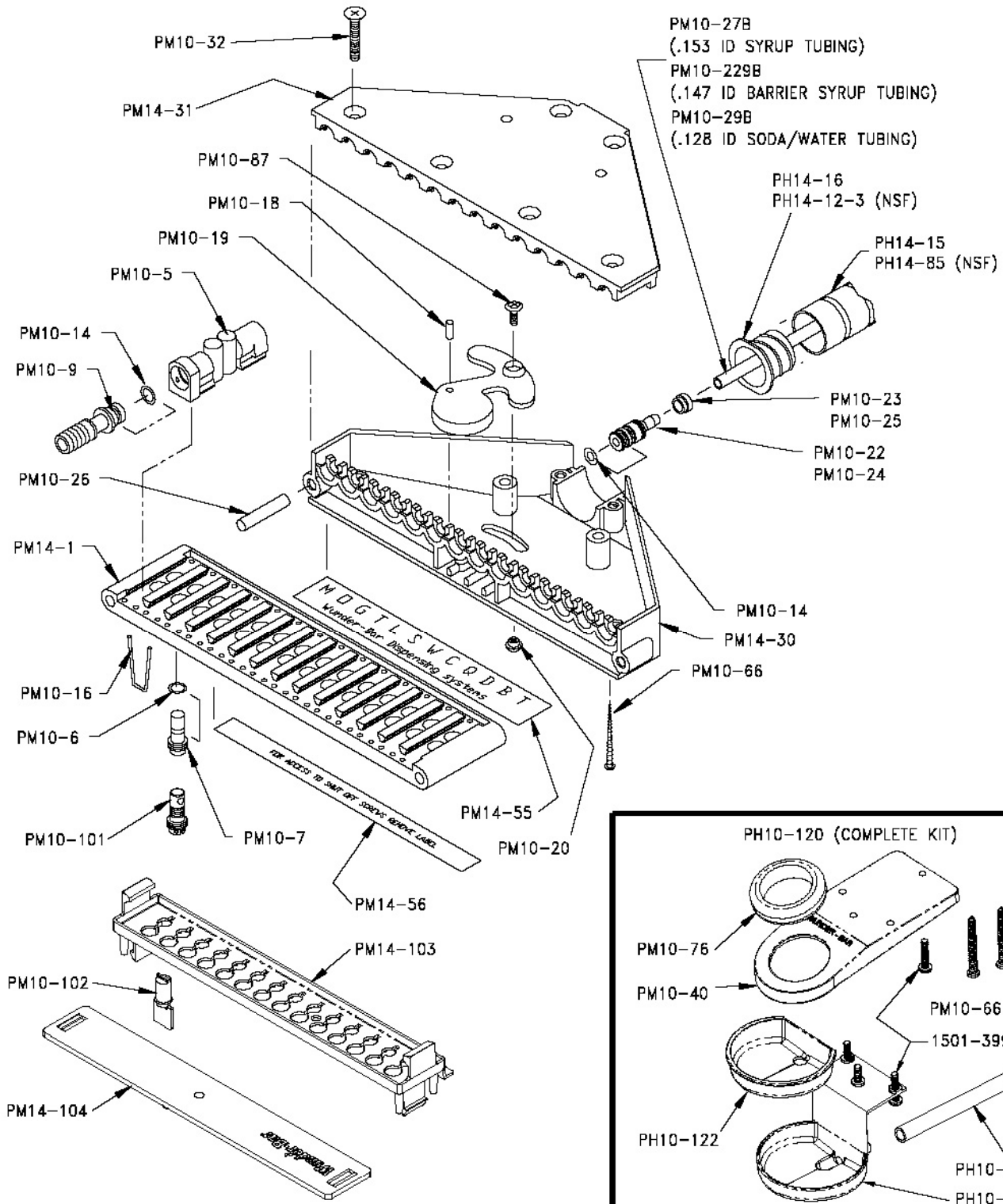
PHONE: (707) 448-5151
FAX : (707) 448-1521

www.wunderbar.com

MARK 4 14-BUTTON POST MIX MANIFOLD

JOB:

ITEM#:



Wunder-Bar

Dispensing Systems

AUTOMATIC BAR CONTROLS, INC.
790 EUBANKS DRIVE
VACAVILLE, CA 95688

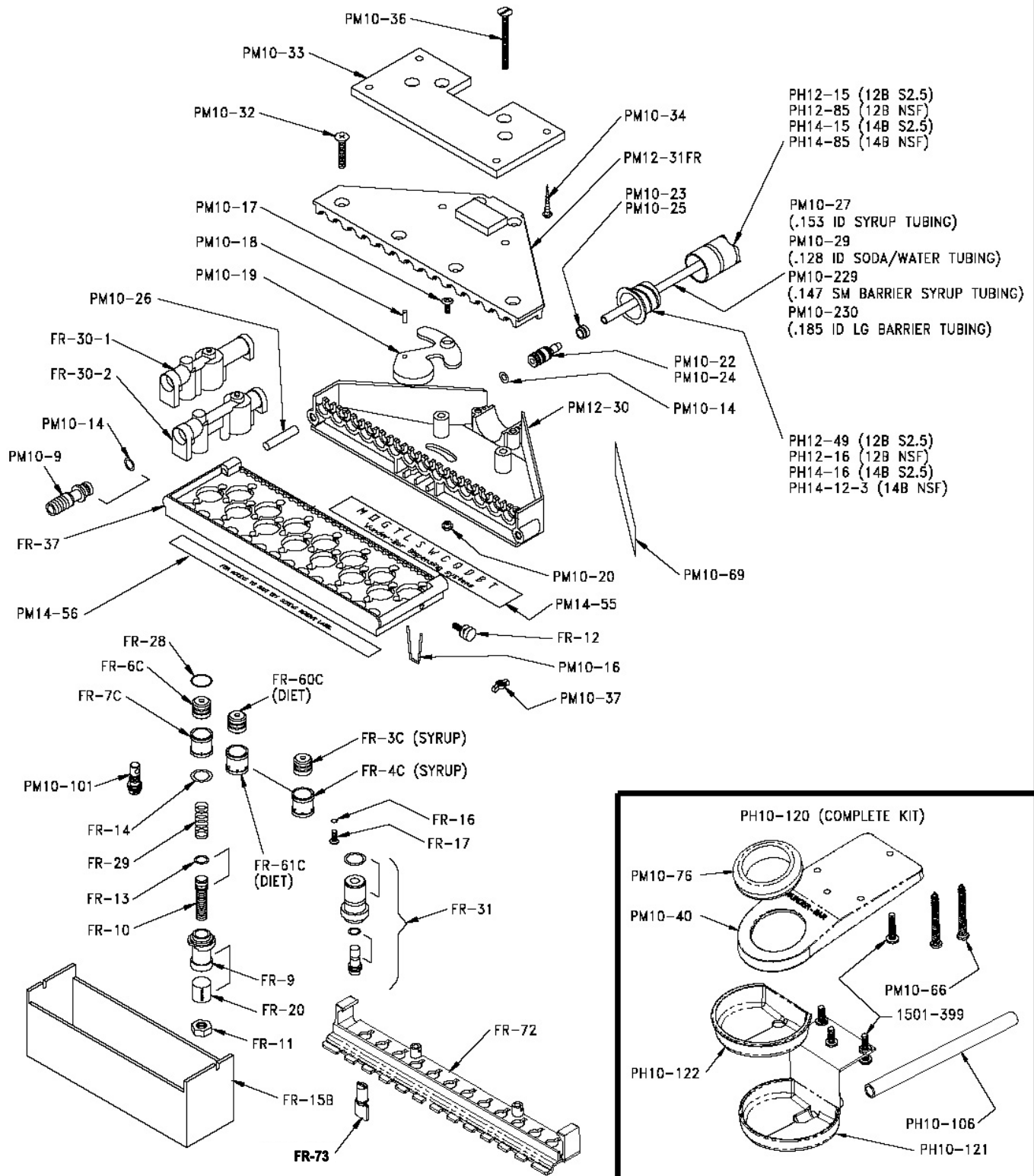
21

PHONE: (707) 448-5151
FAX : (707) 448-1521
www.wunderbar.com

MARK 4 12/14-BUTTON POST MIX MANIFOLD W/FLOW CONTROL

JOB:

ITEM#:



Wunder - Bar

Dispensing Systems

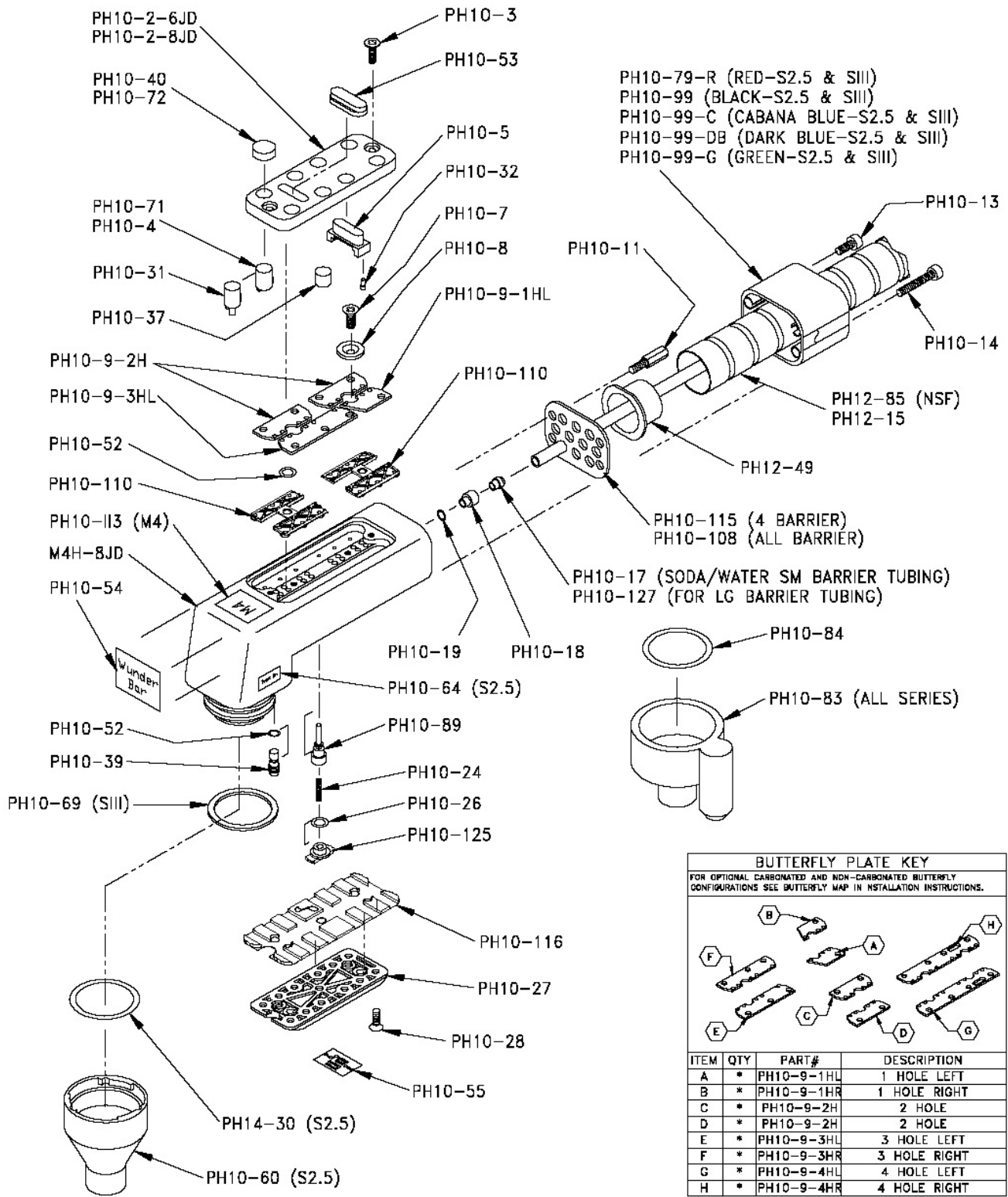
AUTOMATIC BAR CONTROLS, INC.
790 EUBANKS DRIVE
VACAVILLE, CA 95688

PHONE: (707) 448-5151
FAX : (707) 448-1521
www.wunderbar.com

MARK 4 6 & 8 BUTTON JUICE HANDLE

JOB:

ITEM#:



Wunder - Bar

Dispensing Systems

AUTOMATIC BAR CONTROLS, INC.
790 EUBANKS DRIVE
VACAVILLE, CA 95688

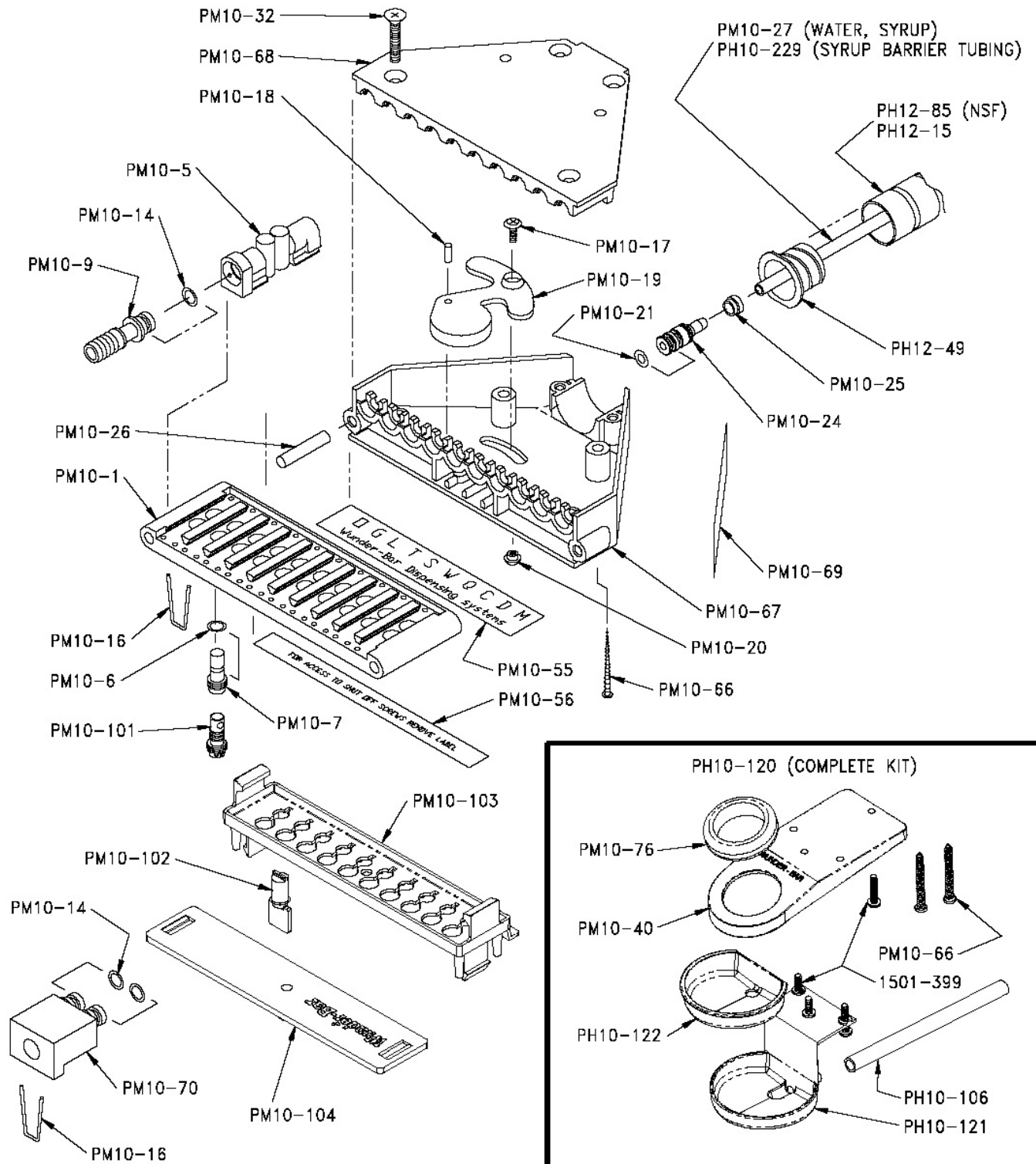
23

PHONE: (707) 448-5151
FAX : (707) 448-1521
www.wunderbar.com

MARK 4 6 & 8 BUTTON JUICE MANIFOLD

JOB:

ITEM#:



Wunder-Bar

Dispensing Systems

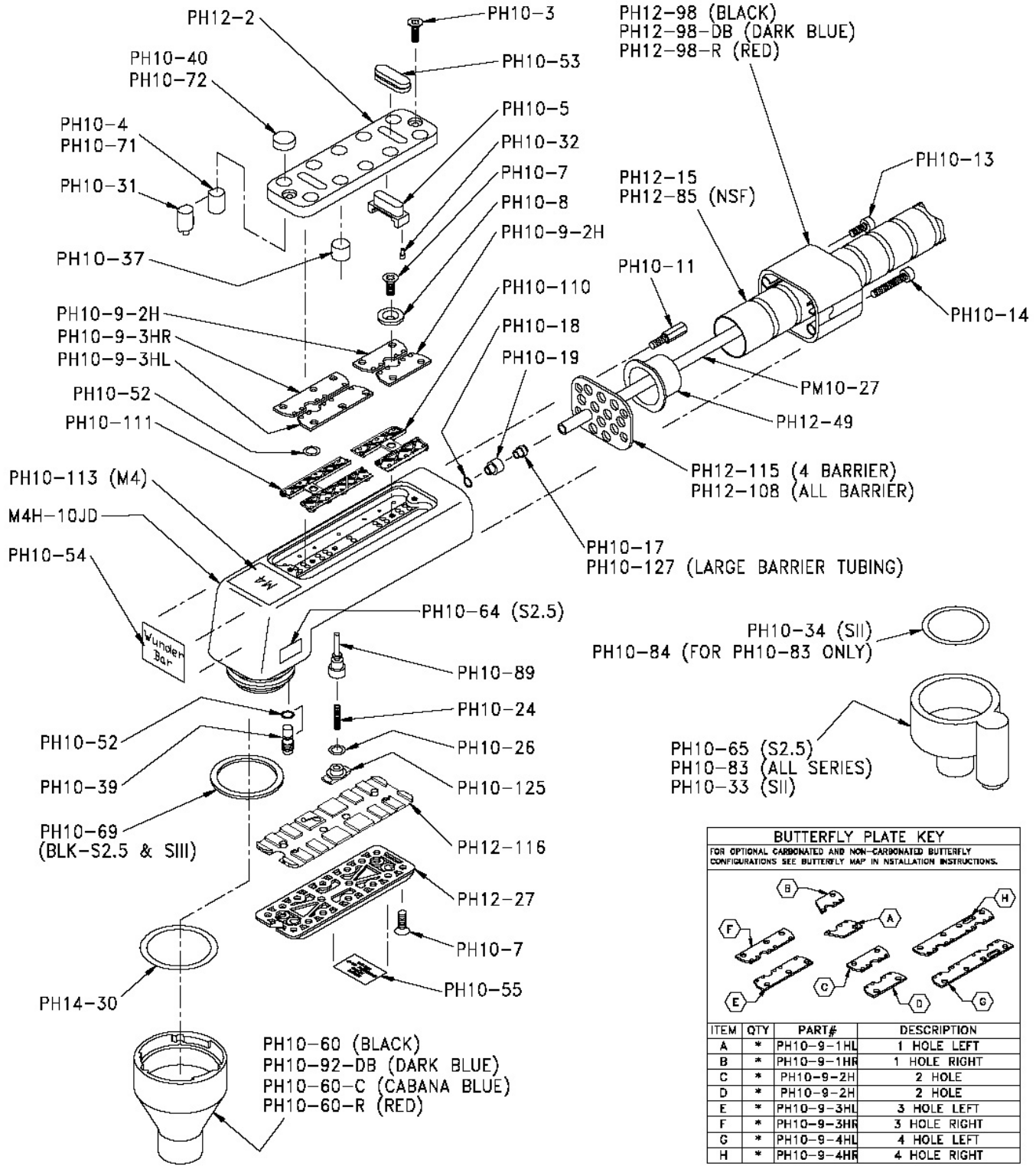
AUTOMATIC BAR CONTROLS, INC.
790 EUBANKS DRIVE
VACAVILLE, CA 95688

PHONE: (707) 448-5151
FAX : (707) 448-1521
www.wunderbar.com

MARK 4 10-BUTTON JUICE HANDLE

JOB:

ITEM#:



BUTTERFLY PLATE KEY
FOR OPTIONAL CARBONATED AND NON-CARBONATED BUTTERFLY CONFIGURATIONS SEE BUTTERFLY MAP IN INSTALLATION INSTRUCTIONS.

ITEM	QTY	PART#	DESCRIPTION
A	*	PH10-9-1HL	1 HOLE LEFT
B	*	PH10-9-1HR	1 HOLE RIGHT
C	*	PH10-9-2H	2 HOLE
D	*	PH10-9-2H	2 HOLE
E	*	PH10-9-3HL	3 HOLE LEFT
F	*	PH10-9-3HR	3 HOLE RIGHT
G	*	PH10-9-4HL	4 HOLE LEFT
H	*	PH10-9-4HR	4 HOLE RIGHT

Wunder - Bar Dispensing Systems

AUTOMATIC BAR CONTROLS, INC.
790 EUBANKS DRIVE
VACAVILLE, CA 95688

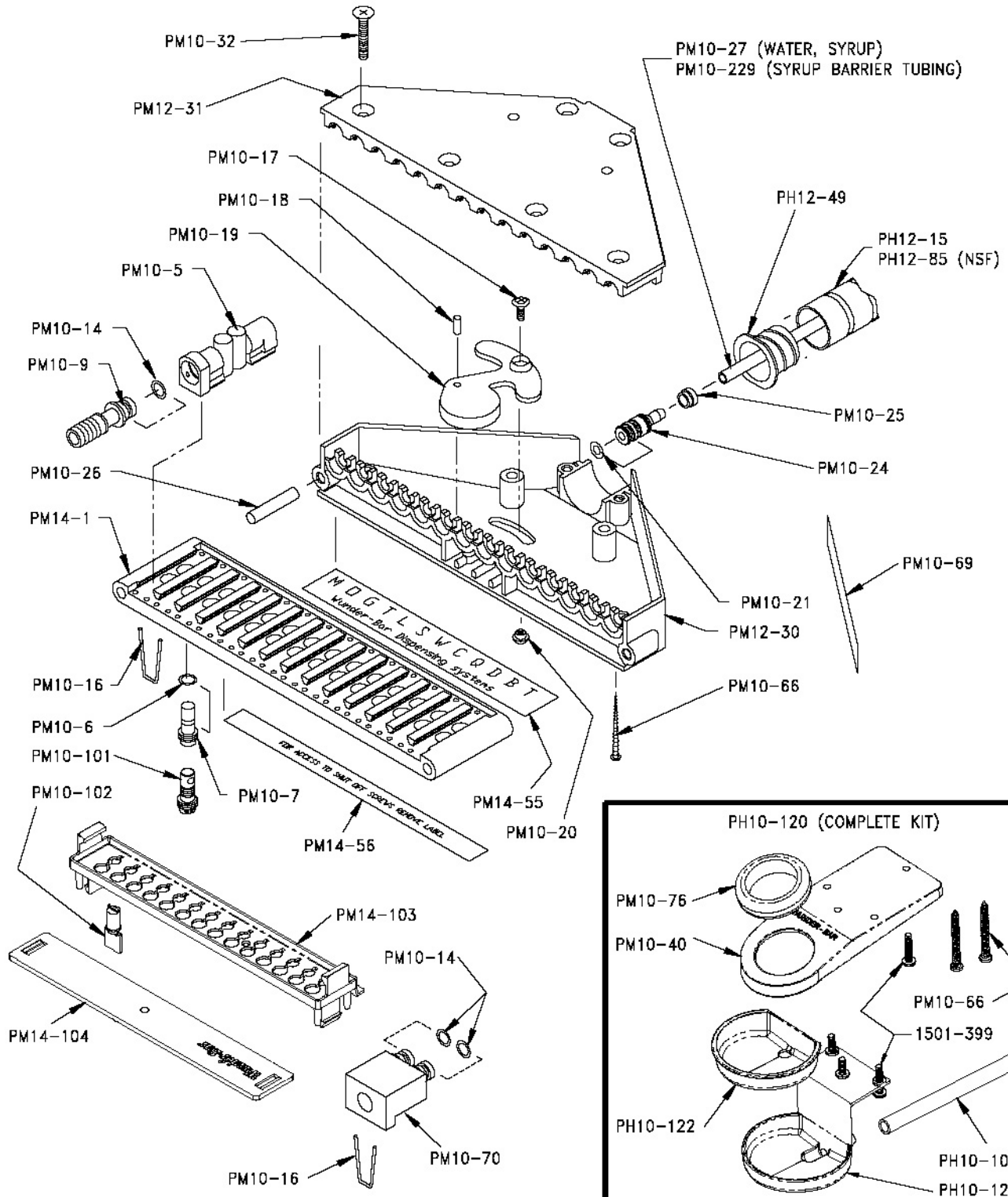
PHONE: (707) 448-5151
FAX : (707) 448-1521

www.wunderbar.com

MARK 4 10-BUTTON JUICE MANIFOLD

JOB:

ITEM#:



Wunder-Bar Dispensing Systems

AUTOMATIC BAR CONTROLS, INC.
790 EUBANKS DRIVE
VACAVILLE, CA 95688

PHONE: (707) 448-5151
FAX : (707) 448-1521
www.wunderbar.com